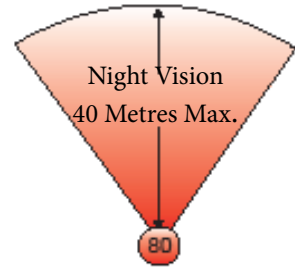


# IPC-30C15



## 1080P 2.1 Mega Pixel HD IP CCTV Camera 40M IR 2.8~12mm lens

### Features

- 2.1 Mega pixel Aptina MT9P006 image sensor
- HI 3518C digital signal processing
- 1080P real-time high definition display
- CMOS: 1/2" Aptina MT9P006 sensor
- Varifocal Lens: 2.8-12mm
- 0.01 lux colour , 0 lux with IR on
- IR LED: 5X42PCS / IR range: 40M
- Digital Wide Dynamic Range
- 3D digital noise reduction.
- True IR cut filte
- Weather Resistance: IP65
- DC12V, **with built in POE**
- Size: 250 x 115 x 86mm
- Gross Weight:950g
- Metal Housing :Graphite gray
- Fully compatiable with our Planet NVRs
- Works with Dahua NVRs but no motion

**1080P** 2.1 Mega Pixel High Definition IP CCTV camera with 40 metre IR & 2.8~12 mm vari~focal lens. CMOS: 1/2" Aptina MT9P006, HI 3518C digital signal processing. POE & 12VDC operation. OVIF and NETIP protocol supported. Real-time 1080P display at 25pfs. Built in web server.

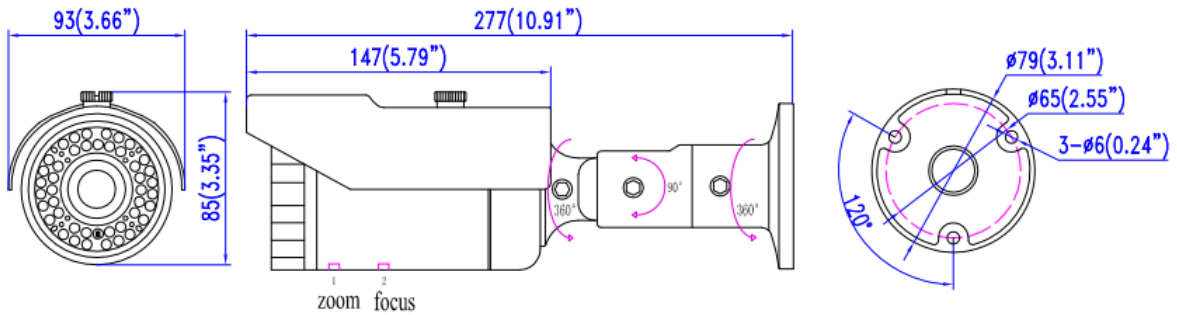
Digital wide dynamic & 3D digital noise reductions to deliver noise free images even in total darkness.

Built in 42 , 5mm LED's allow the camera to be used in total darkness up to a maximum range of 40 metres.

The camera is mounted in a robust aluminium housing which incorporates a 3 axis gimbal allowing the camera to be adjusted to any angle. This allows the unit to be wall or ceiling mounted.

Dual glass technology completely eliminates IR LED fogging . P65 rated & suitable for inside or outside use.Focus and zoom can easily be adjusted without opening the casing.

Size: mm( Inch)



The camera's are supplied with all settings set for general use but can be adjusted for almost any environment.

## What is ONVIF?

ONVIF is an open industry forum for the development of a global standard for the interface of IP-based physical security products.

ONVIF is committed to the adoption of IP in the security market. The ONVIF specification will ensure interoperability between products regardless of manufacturer. The cornerstones of ONVIF are:

- Standardization of communication between IP-based physical security
- Interoperability between IP-based physical security products regardless of manufacturer
- Open to all companies and organizations

The ONVIF specification defines a common protocol for the exchange of information between network video devices including automatic device discovery, video streaming and intelligence metadata.

