

THC-T220-V HD 1080p IR Turret Camera



Key Features

- 2 megapixel high performance CMOS
- Analog HD output, up to 1080p resolution
- 2.8~12mm vari-focal lens
- Day/Night switch
- Smart IR
- Up to 40 m IR distance
- Switchable TVI/AHD/CVI/CVBS
- IP66

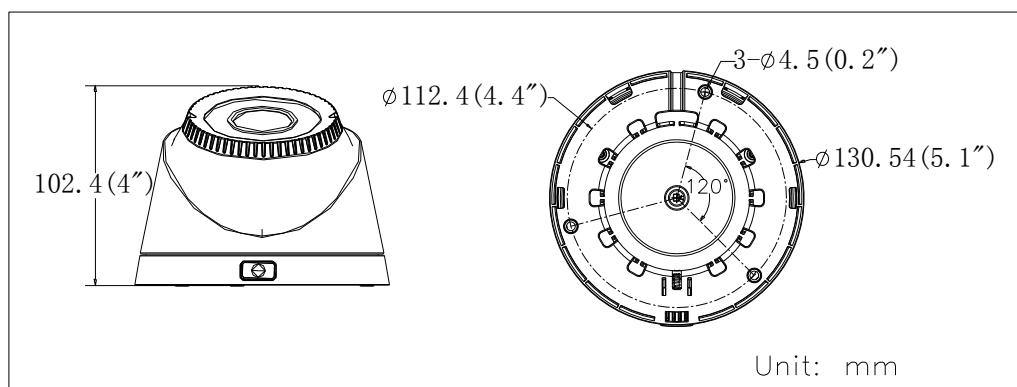
Specifications

Camera	
Image Sensor	2MP CMOS image sensor
Signal System	PAL/NTSC
Effective Pixels	1920 (H) × 1080 (V)
Min. illumination	0.01 Lux@(F1.2,AGC ON), 0 Lux with IR
Shutter Time	1/25 (1/30) s to 1/50,000 s
Lens	2.8 - 12 mm @ F1.4
	Angle of view: 102.25° - 32°
Lens Mount	Φ14
Day & Night	ICR
Angle Adjustment	Pan: 0° to 360°, Tilt: 0° to 75°, Rotation: 0° to 360°
Synchronization	Internal synchronization
Video Frame Rate	1080p@25fps/1080p@30fps
HD Video Output	1 analog HD output
S/N Ratio	>62 dB
General	
Operating Conditions	-40 °C to 60 °C (-40 °F to 140 °F), Humidity 90% or less (non-condensation)
Power Supply	12 VDC ± 15%
Power Consumption	Max. 4 W
Protection Level	IP66
IR Range	Up to 40 m
Dimensions	Φ130.54 × 102.4mm (Φ5.1" × 4")
Weight	Approx. 710g

Order Model

THC-T220-V

Dimensions



Accessories



DS-1273ZJ-130-TRL
Wall Mounting



DS-1275ZJ
Vertical Pole Mounting



DS-1276ZJ
Corner Mounting



DS-1280ZJ-M
Junction Box



DS-1281ZJ-S
Inclined Ceiling Mounting



DS-1H18
Video Balun



X41T
Camera Tester