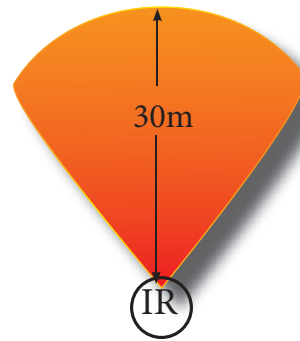
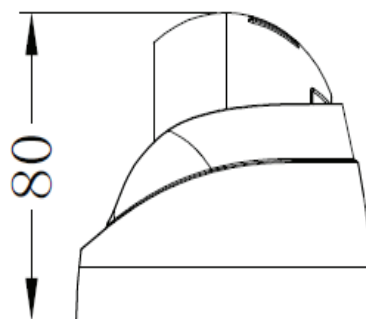
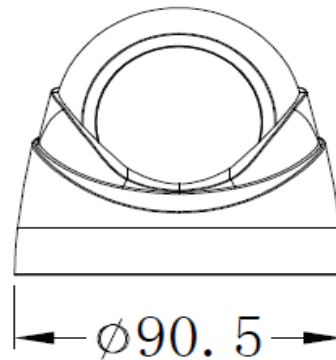


5ST-EYE151-GRA

High definition 5.0 Mega Pixel



5MP CCTV cameras for use with analogue HD systems featuring TVI, AHD & CVI format. HD quality above that of your television is now a reality and affordable. Best used with a 4K screen monitor so you can experience the crystal-clear sharpness of the camera images. Perfectly matched for use with Hikvision DVRs and our TVision DVRs. Use shotgun cable to carry images and power to your camera for best results. Unlike other wholesalers, we fully test our cameras for quality and reliability. So buy your CCTV system at wholesale prices.

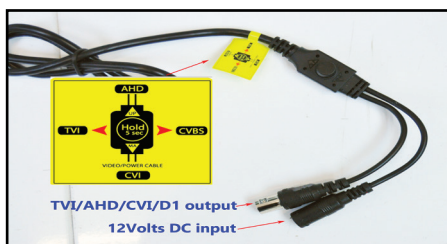


Features

- 5MP, 1 ins image sensor
- TVI/CVI/AHD output
- True wide dynamic range
- True Day/night
- 3D digital noise reduction
- 2.8 to 12mm vari-focal lens
- 30 Meter IR SMART range
- IP66 rated for inside or outside use
- Power input: 12v DC 700mA

Common Features

- 1/2.8ins SONY 2.4MP IMX291
- Starvis back illuminated sensor
- 3MP HD lens with IR correction
- IR Smart
- IP66 rated - suitable for in and outside
- Signal to noise ratio >52dB
- 0 lux with IR LED 0.001Lux
- Aluminium external housing
- dual glass technology - prevents image fogging



Optional back box