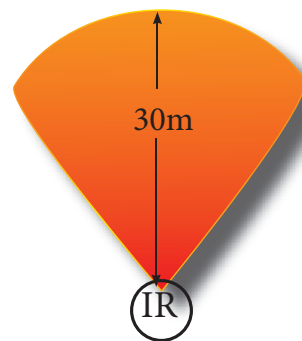


TVI-EYE150S

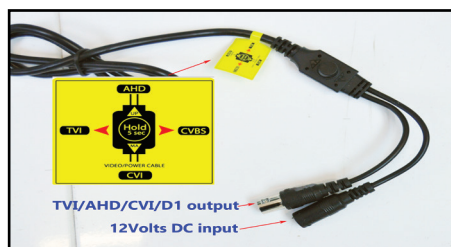
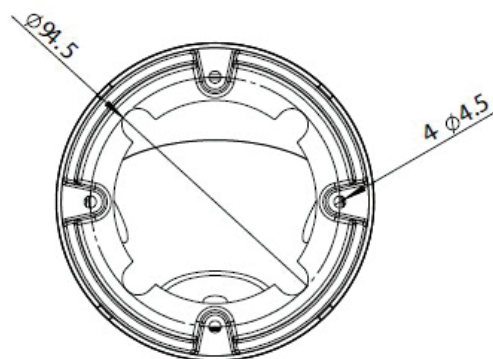
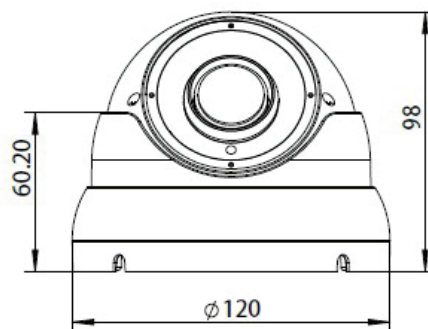
High definition 2.4 Mega Pixel



Sony IMX322 1/2 inch , 2.4MP image sensor “eyeball” camera. 1080P HD-TVI/AHD/CVI and standard resolution compliant , easy to adjust housing. True day night IR cut filter. Digital wide dynamic & 2D digital noise reductions to deliver noise-free images even in near total darkness. IR smart circuit to reduce ghosting out of image. Built in 4 LED's allow the camera to be used in total darkness up to a maximum range of 30 metres.

Features

- TVI/AHD/CVI and standard resolution switchable
- Up The Coaxial OSD control
- 1920 x 1080P 2.4MPixels
- Sony IMX322 CMOS 1/2” sensor
- Signal to noise ratio >52dB
- IR Smart
- True IR cut filter
- Day/Night
- 2.8~12mm vari focal lens
- 30 Metre IR range
- 0 Lux with IR LED , 0.001Lux
- Aluminium external housing
- Colour: White/graphite gray
- IP66 Weather proof housing
- 3-Axis rotation
- Power input: 12v DC 700mA
- Dual glass technology
- Size:131 x 93mm
- weight 800 grams



Optional Back box

