



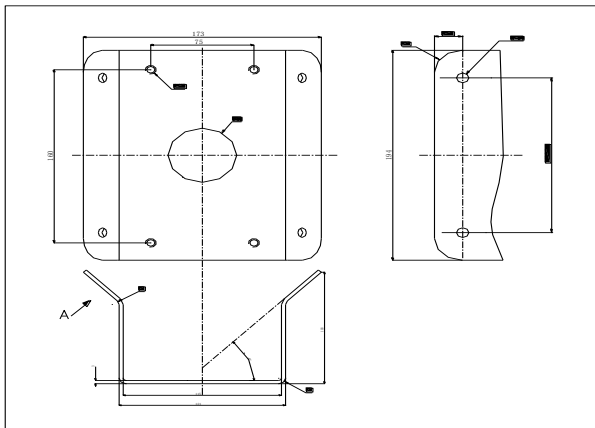
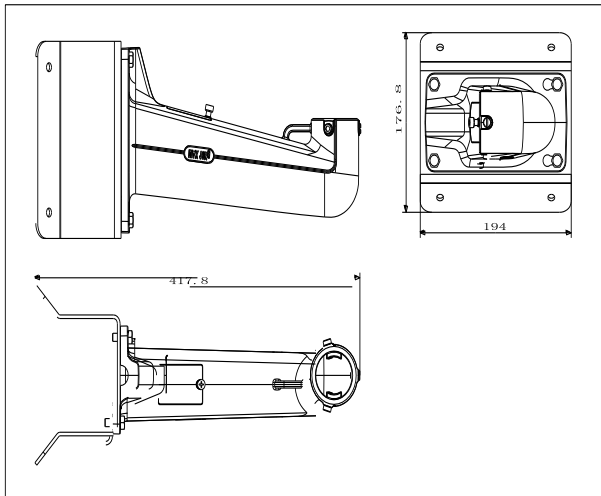
DS-1602ZJ-Corner

Long Arm Wall Corner Mount Bracket

Features:

- Aluminum alloy & steel material with surface spray treatment
- Exquisite and small design
- Design of safety rope for more convenient installation

Dimension:



Note: The actual bracket may vary from the picture above.

Order model:

DS-1602ZJ-corner

Parameters:

Model	DS-1602ZJ-corner
Parameter	Wall Mount Bracket
Color	Hikvision white
Feature	Suitable for speed dome wall corner mounting
Material	Aluminum alloy & Steel
Dimension	176.8×194×417.8mm
Weight	2809g

Notice:

- The bracket should be installed on the flat surface of a wall
- The wall must be capable of supporting more than 3 times the total capacity of the camera and the bracket
- Load capacity of bracket is 10KG