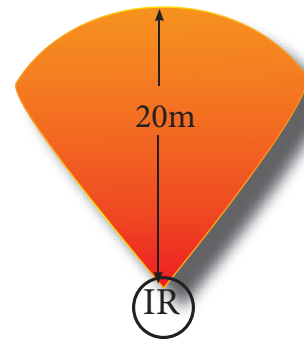
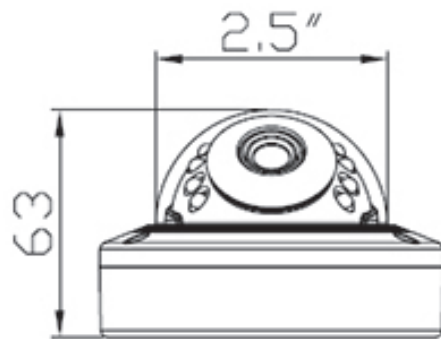


4N1-VDF36SL-WH

High definition 2.4 Mega Pixel



Sony STARVIS 1/2 inch , 2.4MP image sensor “Vandal dome “ camera. 1080P HD-TVI/AHD/CVI and standard resolution compliant , easy to adjust housing. True day night IR cut filter. Digital wide dynamic & 3D digital noise reductions to deliver noise-free images even in near total darkness. IR smart circuit to reduce ghosting out of image. Built in LED's allow the camera to be used in total darkness up to a maximum range of 20 meters.



Features

- 1920 x 1080P 2.4MPixels
- Sony STARVIS CMOS 1/2” sensor
- TVI/AHD/CVI and standard resolution switchable output
- Signal to noise ratio >52dB
- IR Smart
- True IR cut filter
- Day/Night
- 3.6mm lens
- 20 Meters IR range
- 0 Lux with IR LED , 0.001Lux
- Aluminum external housing
- Colour: White
- IP66 Weather proof housing
- 3 axis bracket suitable for walls or ceiling
- Power input: 12v DC 70/400mA
- Size:95 x 63mm
- weight 0.36Kg

