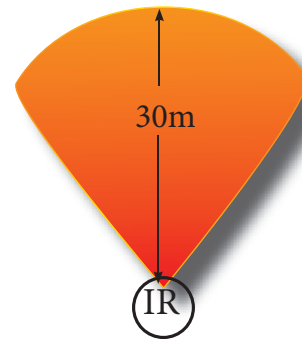


SV2-EYE150ESL

High definition 2.4 Mega Pixel



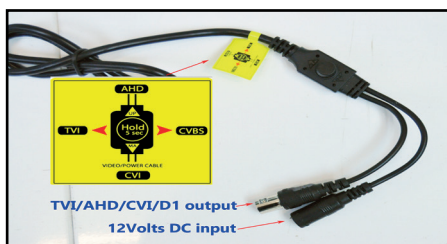
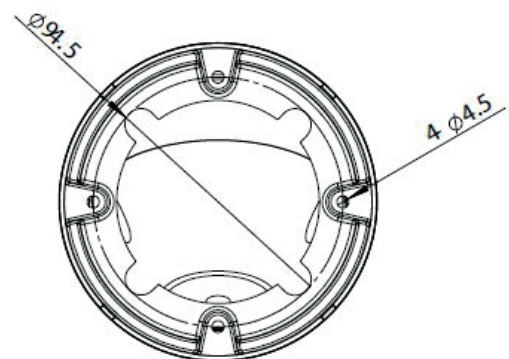
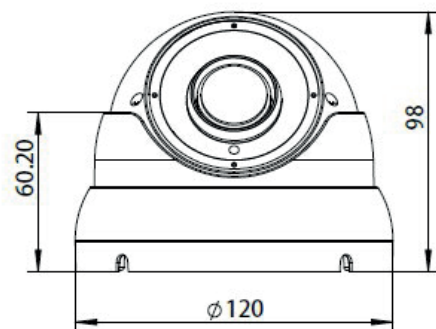
Sony STARVIS 1/2 inch , 2.4MP image sensor “eyeball” camera. 1080P HD-TVI/AHD/CVI and standard resolution compliant , easy to adjust housing. True day night IR cut filter. Digital wide dynamic & 3D digital noise reductions to deliver noise-free images even in near total darkness. IR smart circuit to reduce ghosting out of image. Built in 4 LED’s allow the camera to be used in total darkness up to a maximum range of 30 metres.

Features

- 4 in 1 video output
- TVI/CVI/CVBS/AHD output
- True wide dynamic
- 3D digital noise reduction
- 3.6mm lens
- 20 Meter IR range
- Power input: 12VDC 500mA
- Size:89 x 76mm
- weight:

Common Features

- 1/2.8ins SONY 2.4MP IMX291
- Starvis back illuminated sensor
- 3MP HD lens with IR correction
- IR Smart
- IP66 rated - suitable for in and outside
- Signal to noise ratio >52dB
- 0 lux with IR LED 0.001Lux
- Aluminum external housing
- dual glass technology - prevents image fogging



Optional Back box

