

IPC-B640-V(Z) 4.0 MP CMOS Vari-Focal Network Bullet Camera



Key Features

- 1/3" progressive scan CMOS
- Up to 4.0 megapixel high resolution
- 2.8 mm to 12 mm manual (Z for motorized lens) vari-focal lens
- Up to 30 m IR range
- Dual stream
- 120 dB WDR (Wide Dynamic Range)
- 3D DNR (Digital Noise Reduction)
- PoE (Power over Ethernet)
- IP 67
- Mobile monitoring via Hik-Connect or iVMS-4500

Specification

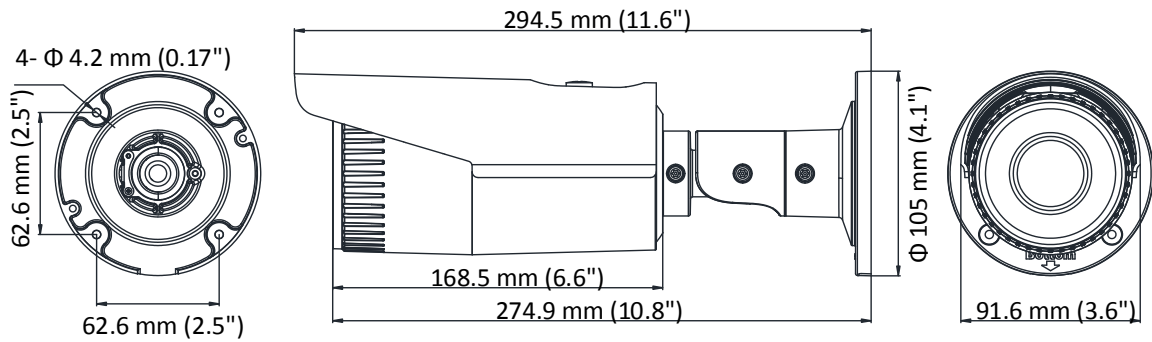
Camera	
Image Sensor	1/3" progressive scan CMOS
Min. Illumination	Color: 0.01 Lux @(F1.2, AGC ON), 0 Lux with IR
Shutter Speed	1/3 s to 1/100, 000 s, support slow shutter
Lens	2.8 mm to 12 mm @F1.4 , horizontal field of view: 108° to 31°
Lens Mount	Φ14
Day & Night	IR cut filter with auto switch
3-Axis Adjustment	Pan: 0° to 355°, tilt: 0° to 100°, rotation: 0° to 355°
DNR (Digital Noise Reduction)	3D DNR
WDR (Wide Dynamic Range)	120 dB
Compression Standard	
Video Compression	Main stream: H.264+/H.264 Sub stream: H.264/ MJPEG
H.264 Type	Main profile/High profile
Video Bit Rate	32 Kbps to 16 Mbps
Dual Stream	Support
Image	
Max. Resolution	2688 × 1520
Main Stream Max. Frame Rate	50Hz: 20fps @(2688 × 1520), 20fps @(2304 × 1296), 25fps @(1920 × 1080, 1280 × 720) 60Hz: 20fps @(2688 × 1520), 20fps @(2304 × 1296), 30fps @(1920 × 1080, 1280 × 720)
Sub-stream Max. Frame Rate	50Hz: 25fps @(640 × 360, 352 × 288) 60Hz: 30fps @(640 × 360, 352 × 240)
Image Settings	Brightness, saturation, contrast, sharpness are adjustable via web browser or client software
Day/Night Switch	Support auto, scheduled
Others	Mirror, BLC (area configurable), region of interest (support 1 fixed region)
Network	
Network Storage	Support micro SD/SDHC/SDXC card (128G), local storage and NAS (NFS, SMB/CIFS), ANR
Detections	Motion detection
Alarms	Video tampering, network disconnected, IP address conflicted, HDD full, HDD error
Protocols	TCP/IP, ICMP, HTTP, HTTPS, FTP, DHCP, DNS, DDNS, RTP, RTSP, RTCP, NTP, UPnP, SMTP, SNMP, IGMP, 802.1X, QoS, IPv6, Bonjour
Standard	ONVIF (PROFILE S, PROFILE G), PSIA, CGI, ISAPI
General Function	One-key rest, anti-flicker, heartbeat, mirror, password protection, privacy mask, watermark, IP address filter
Interface	
Communication Interface	1 RJ45 10M/100M self-adaptive Ethernet port
Video Output (Without -Z)	1Vp-p composite output (75Ω/BNC)
Reset	Support
General	
Operating Conditions	-30 °C to 60°C (-22 °F to 140°F), humidity: 95% or less (non-condensing)
Power Supply	DC12V ± 25%, PoE (802.3af)
Power Consumption	Max. 5.5 W/11 W (with -Z)
Ingress Protection	IP67
IR Range	Up to 30 m
Dimensions	91.6 mm × 105 mm × 294.5 mm (3.6" × 4.1" × 11.6")
Weight	1200 g (2.6 lb.)

Available Models

IPC-B640-V

IPC-B640-Z

Dimension



Accessory



DS-1260ZJ
Junction Box



DS-1275ZJ
Vertical Pole Mounting Bracket



DS-1280ZJ-S
Junction Box



DS-1276ZJ
Corner Mounting Bracket

HiWatch Series

Hikvision UK & Ireland
4 The Square, Stockley Park,
Uxbridge, UB11 1ET
Tel: 01628 902140
sales.uk@hikvision.com
support.uk@hikvision.com